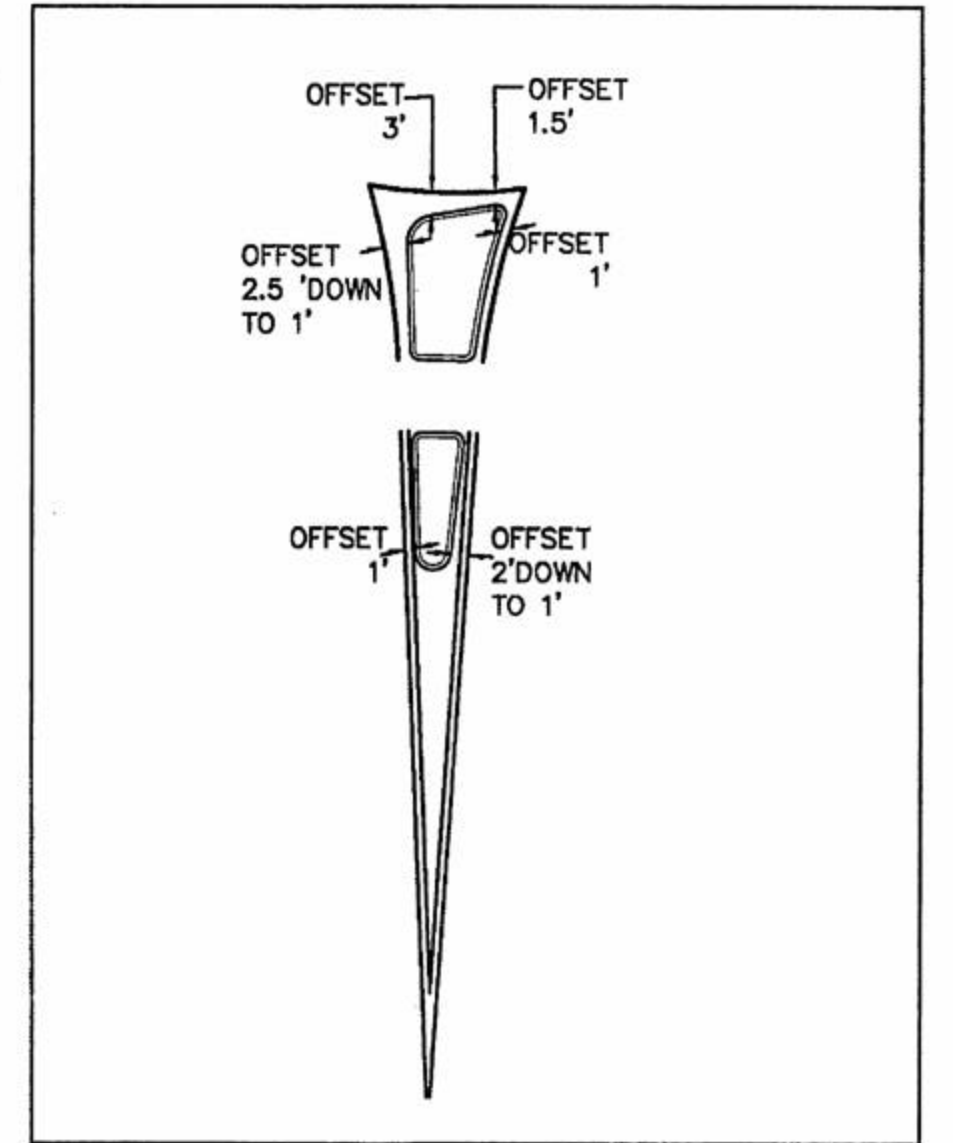


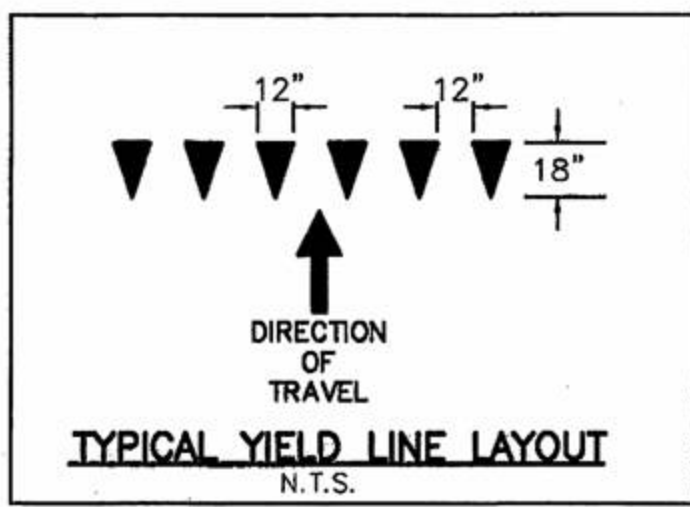
PAVEMENT MARKING LEGEND

PAVEMENT MARKING	DESCRIPTION	LEGEND
STOP LINE	24" WIDE SOLID WHITE	SL
NO PASSING CENTER LINE	2-4" WIDE SOLID YELLOW, 10" O.C.	CL
TWO WAY PASSING CENTER LINE	4" WIDE YELLOW, 10' LONG, 30' GAP	CLP
ONE WAY PASSING CENTER LINE	4" WIDE SOLID YELLOW WITH CLP, 10" O.C.	CLP1
EDGE LINE	4" (OR 8") WIDE SOLID WHITE (OR YELLOW)	EL OR ELY
LANE LINE	4" (OR 8") SOLID WHITE	LL
NO PASSING LANE LINE	2-4" WIDE SOLID WHITE, 10" O.C.	DBL
DASHED LANE LINE	4" WIDE WHITE, 10' LONG, 30' GAP	DL
DOTTED LANE LINE	4" WIDE WHITE, 2' LONG, 4' GAP	DLL
TYPE A CROSSWALK (LINE)	6" WIDE WHITE, 6.5' O.C. SPACING (OR VARIES)	CWL
TYPE C CROSSWALK (HATCH)	2' X 6' WIDE WHITE, 2' GAP, PARALLEL WITH TRAFFIC	CWH
CROSSHATCH LINE	24" WIDE YELLOW (OR WHITE), 45 DEGREES, 12' O.C.	CHL

1. ALL PAVEMENT MARKINGS TO BE THERMOPLASTIC UNLESS OTHERWISE NOTED.

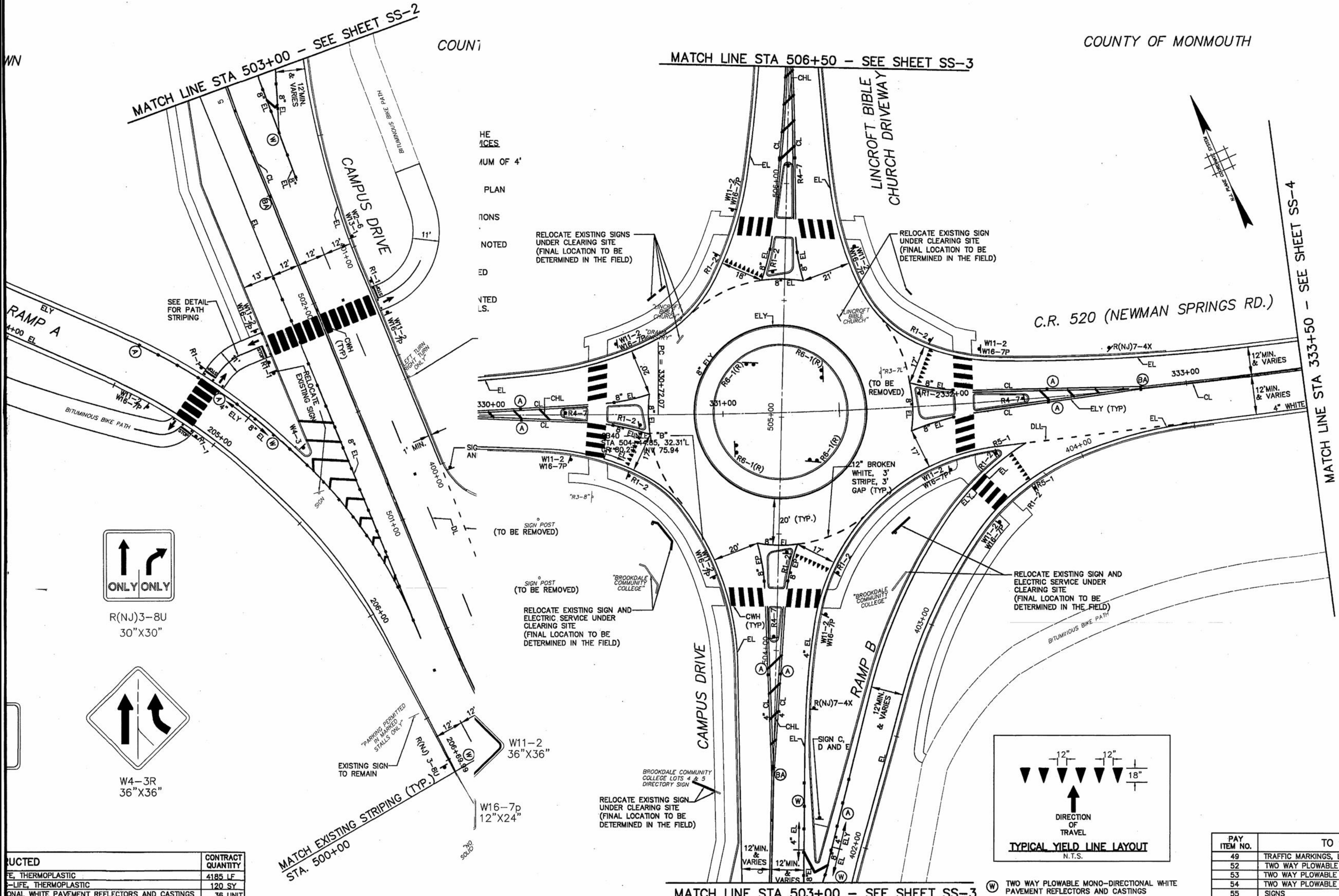


TYPICAL SPLITTER ISLAND STRIPING OFFSETS



- (W) TWO WAY PLOWABLE MONO-DIRECTIONAL WHITE PAVEMENT REFLECTORS AND CASTINGS
- (A) TWO WAY PLOWABLE MONO-DIRECTIONAL AMBER PAVEMENT REFLECTORS AND CASTINGS
- (BA) TWO WAY PLOWABLE BI-DIRECTIONAL AMBER PAVEMENT REFLECTORS AND CASTINGS

PAY ITEM NO.	TO BE CONSTRUCTED	CONTRACT QUANTITY
49	TRAFFIC MARKINGS, LINES, LONG-LIFE, THERMOPLASTIC	6799 LF
52	TWO WAY PLOWABLE MONO-DIRECTIONAL WHITE PAVEMENT REFLECTORS AND CASTINGS	7 UNIT
53	TWO WAY PLOWABLE MONO-DIRECTIONAL AMBER PAVEMENT REFLECTORS AND CASTINGS	19 UNIT
54	TWO WAY PLOWABLE BI-DIRECTIONAL AMBER PAVEMENT REFLECTORS AND CASTINGS	8 UNIT
55	SIGNS	182 SF



R(NJ)3-8U
30"X30"



W4-3R
36"X36"

CONTRACT QUANTITY	CONTRACT QUANTITY
4185 LF	4185 LF
120 SY	120 SY
36 UNIT	36 UNIT
8 UNIT	8 UNIT
11 UNIT	11 UNIT
77 SF	77 SF

SCHOOOR DEPALMA
and Consultants
200 STATE HIGHWAY NINE
P.O. BOX 900
MANALAPAN, NJ 07726
TEL (732)577-9000
FAX (732)577-9888

SIGNING AND STRIPING
C.R. 520 (NEWMAN SPRINGS RD.)
AT BROOKDALE COLLEGE ENTRANCE
TOWNSHIP OF MIDDLETOWN MONMOUTH COUNTY

Gregg A. Fodale
GREGG A. FODALE
PROFESSIONAL ENGINEER, N.J. LIC. No. 33848

SCHOOOR DEPALMA
Engineers and Consultants
200 STATE HIGHWAY NINE
P.O. BOX 900
MANALAPAN, NJ 07726
TEL (732)577-9000
FAX (732)577-9888

SIGNING AND STRIPING PLAN
C.R. 520 (NEWMAN SPRINGS ROAD)
AT BROOKDALE COLLEGE ENTRANCE
TOWNSHIP OF MIDDLETOWN MONMOUTH COUNTY NEW JERSEY

PROJECT NO. 040025601	DATE 10/24/05
DRAWN BY: AJD	DESIGNED BY: AJD
SCALE 1"=20'	CHECKED BY:
SCHOOOR DEPALMA	
SHEET NO. 28 of 71	